

# Parla

The Parla Range is a refined solid brass collection inspired by classic architectural detailing and timeless joinery design. The range features two D-handle lengths and a coordinating knob, offering a cohesive hardware solution for cabinetry and bespoke joinery.

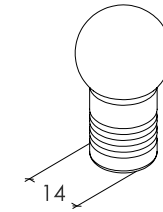
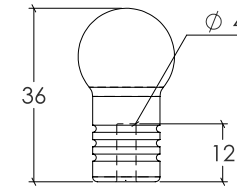
The design is distinguished by its traditional form with an ornamental flare, featuring elegant cylindrical stems finished with circular spheric domed ends. Two finely etched indented lines at the base of each stem introduce a subtle layer of definition, adding depth and craftsmanship to the overall silhouette.



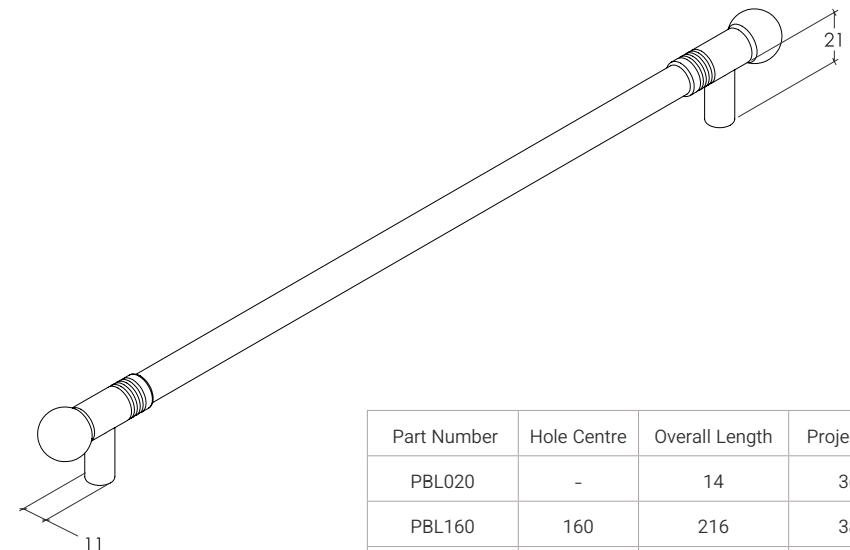
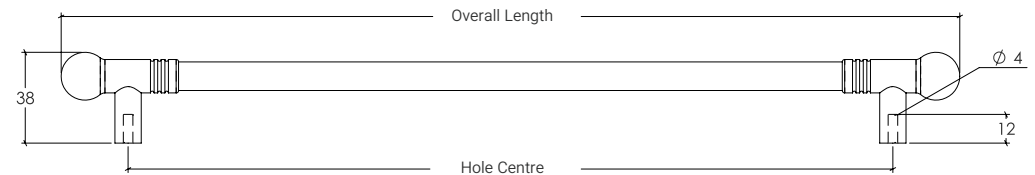
STYLES	20mm Knob: PBL020   160mm Bar Pull: PBL160   320mm Bar Pull: PBL320
--------	---

FINISHES	<span style="display: inline-block; width: 15px; height: 15px; background-color: #4b4b4b; margin-right: 5px;"></span> Bronze (BNZ) <span style="display: inline-block; width: 15px; height: 15px; background-color: #d4c08e; margin-left: 20px; margin-right: 5px;"></span> Brushed Satin Brass (BSB) <span style="display: inline-block; width: 15px; height: 15px; background-color: #a9a9a9; margin-left: 20px; margin-right: 5px;"></span> Dull Brushed Nickel (DBR) <span style="display: inline-block; width: 15px; height: 15px; background-color: #c08e4b; margin-left: 20px; margin-right: 5px;"></span> Old Burnished Brass (OBB)
----------	---

Knob



D Handle



Part Number	Hole Centre	Overall Length	Projection
PBL020	-	14	36
PBL160	160	216	38
PBL320	320	376	38

